

SWING DOOR DRIVE UNIT

GILGEN FD 20-F



This high-performance, fire-safety certified drive system offers both ease of operation in daily use and tough protection in the event of a fire, with a safe emergency exit and reliable rescue access likewise guaranteed.

- Compatible with single/two-leaf doors and interlock accesses
- The integrated load function can withstand winds of up to 80 km/h
- Built-in mechanical closing sequence regulator for two-leaf doors
- Easy to reset (on the side cover) after a fire alarm
- Fire-alarm LED display integrated into the side cover
- Reliable fire detection integrated into the drive system
- Test-approved "inverse" power-down opening function to let smoke escape and act as an emergency exit
- Terminals for connecting accessories such as locks, security/safety elements or operating controls
- Fire-safety certified (DIBt, CNPP, BS EN 1634-1, EN 1158, DIN 18263-4,...)
- TÜV approved and complies with the pertinent standards and requirements (e.g. EN 16005, DIN 18650)

Range of application

Max. door leaf weight	250 kg
Door sizes single-leaf EN 3-6	750 – 1400mm
Door sizes two-leaf EN 3-6	1500 – 2800mm
Max. opening angle	105°
Max. wind speed	80 km/h (320 Pa)*

*depending on door size and type of rod

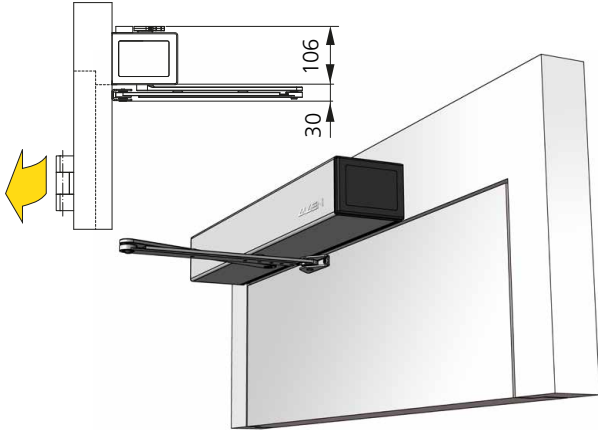
Dimensions of drive system

Height	95 mm
Width	690 mm
Depth	120 mm

Possible applications

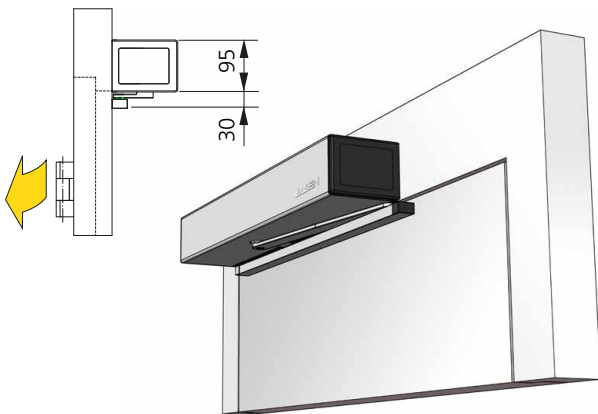
Standard rods with pushing function

Lintel installation



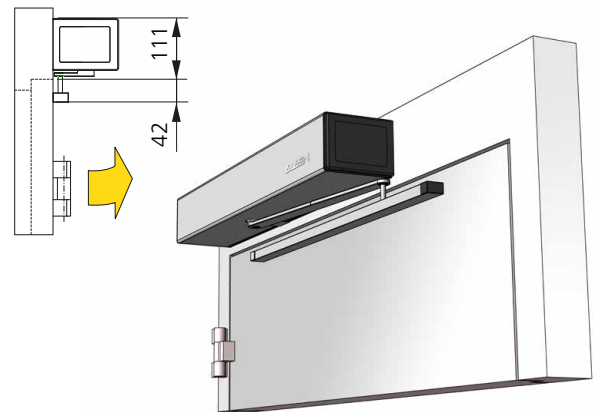
Sliding rods with pushing function

Lintel installation



Sliding rods with pulling function

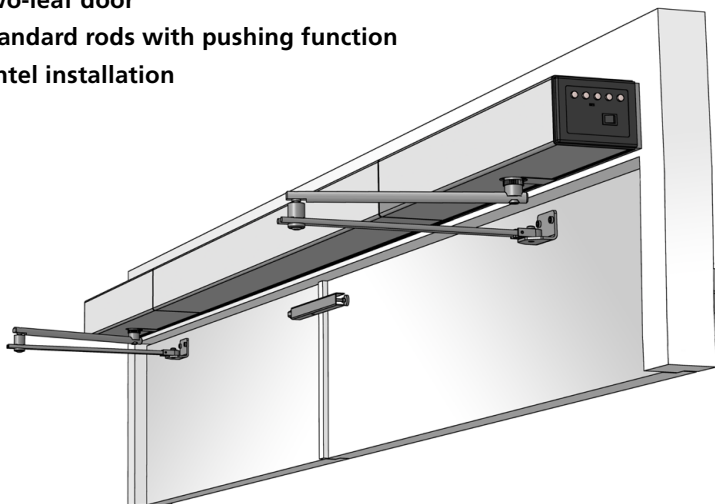
Lintel installation



Two-leaf door

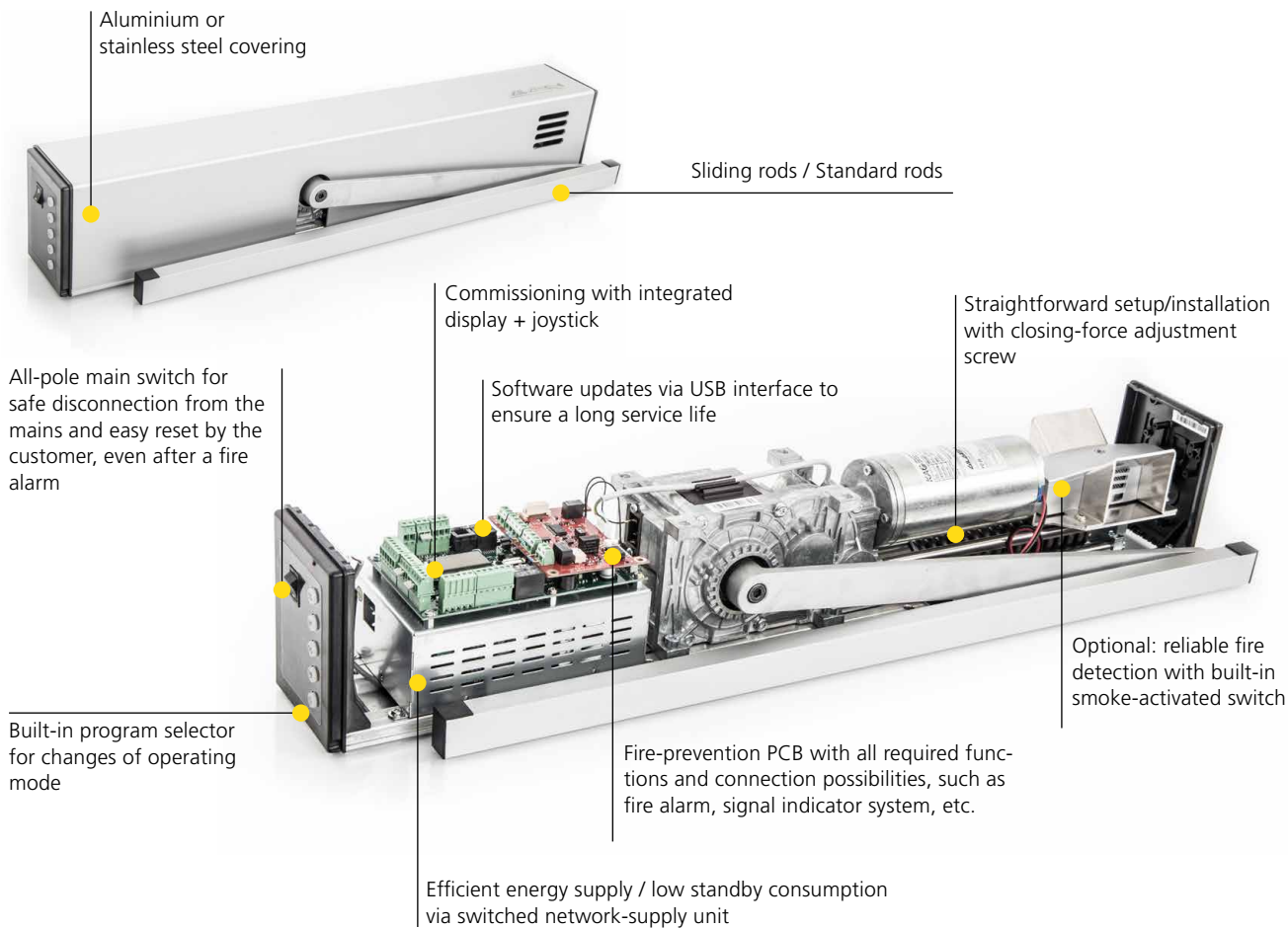
Standard rods with pushing function

Lintel installation



- Mechanical closing sequence regulator and smoke detector concealed inside the drive system
- "Smart logic" mechanical system ensures a smooth closing sequence
- Compatible with all installation and rod variants

Technical data



Power transfer	Standard rods (pushing function) Sliding rods (pushing and pulling function)
Weight of drive system	10.5 kg
Protection rating	IP 40 (42)
Ambient temperature	-15 to +50 °C
Operating voltage	230 VAC (+10/-15 %), 50 Hz, 10/13 A
Power consumption of drive system	max 560 W
Rated motor capacity	100 W
Stand-by consumption	4 W
Power supply, external user	24 VDC (±10 %), 2 A
Lintel depth standard rods	max. 240 mm
Lintel depth sliding rods	-30 / + 30 (190) mm
Opening speed	max. 40°/s
Closing speed	max. 40°/s
Relative humidity	max. 85 %
Output shaft torque	permanent max. 80 Nm short max. 240 Nm

Additional components for automatic fire-safety swing doors

