

HERMETIC SLIDING DOOR PSH PROFILE SYSTEM



The Gilgen PSH hermetically sealed profile system is ideal for use in areas where hygiene and other sensitive environmental considerations are a priority.

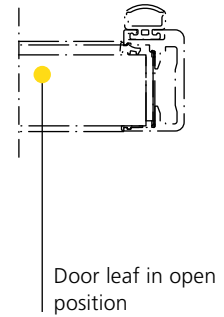
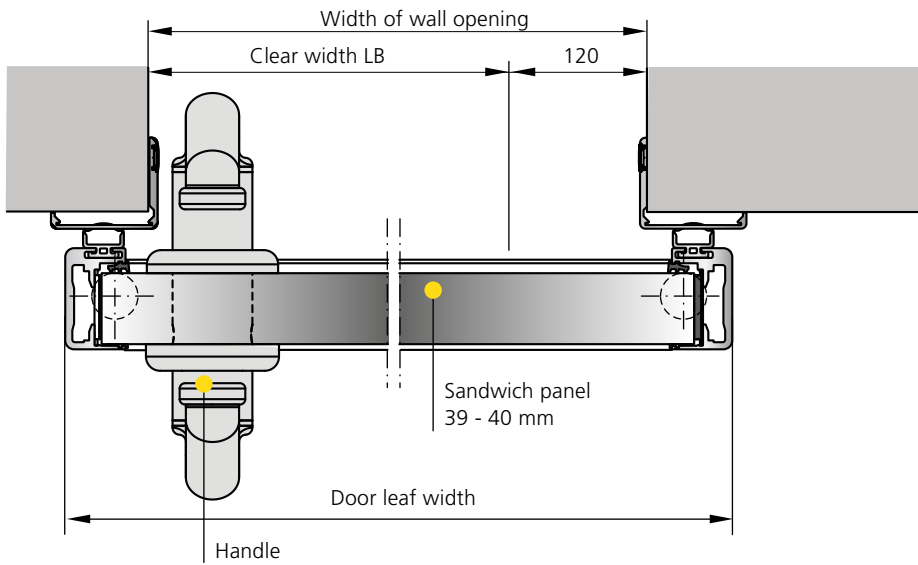
- Ideal for use in such places as operating theatres, treatment rooms and laboratories, and in the pharmaceutical sector and food industry in general
- Single leaf sliding doors
- Controlled hygiene
- Very tight seal
- Contact-free control
- Efficient and user-friendly
- The system of aluminium profiles permits a wide range of door leaf configurations
 - Leaf configuration - e.g. sandwich panel (with artificial-resin or stainless steel finish)
 - Framed, all glass configuration with insulating glass
- Fixed point guide
- Locking drive mechanism option
- The patented swivelling/lowering mechanism and all-round seals prevent unwanted exchanges of air and the penetration of foreign objects
- With single- and double-frame configuration to match the current building structure
- Drive mechanism in round-edged aluminium casing
- The drive mechanism, door leaf finish and seals are all resistant to the standard cleaning agents used in the health sector
- Overall system certification - with air permeability conforming to EN 12207 (Class 4 / Class D) and EN 16361 (Class PPD 2)
- TÜV-tested for conformity with corresponding specifications and standards (e.g. EN 16005, DIN 18650)

Range of applications with SLX-D drive mechanism

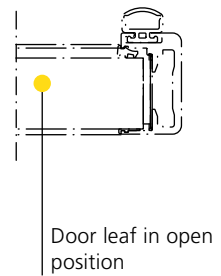
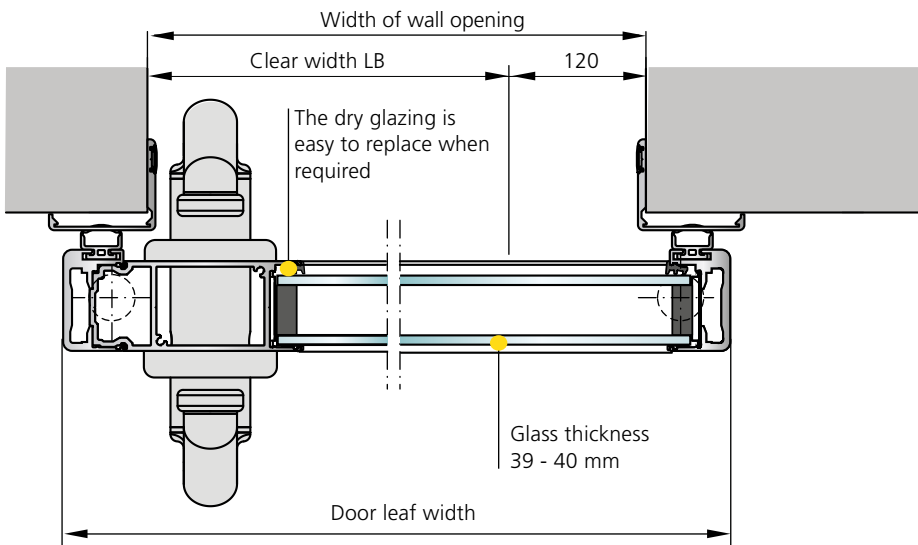
Width of wall opening	920 - 1900 mm
Clear width (LB)	800 - 1780 mm
Clear width Configuration without handle	920 - 1900 mm
Height of wall opening	2000 - 2400 mm
Width of sliding leaf	1015 - 1995 mm
Height of sliding leaf	2039 - 2439 mm
Weight of door leaf	Standard max. 150 kg BOOSTER max. 200 kg

Possible configurations

Door leaf with sandwich panel



Glazed door-leaf (insulating glass)



Handle

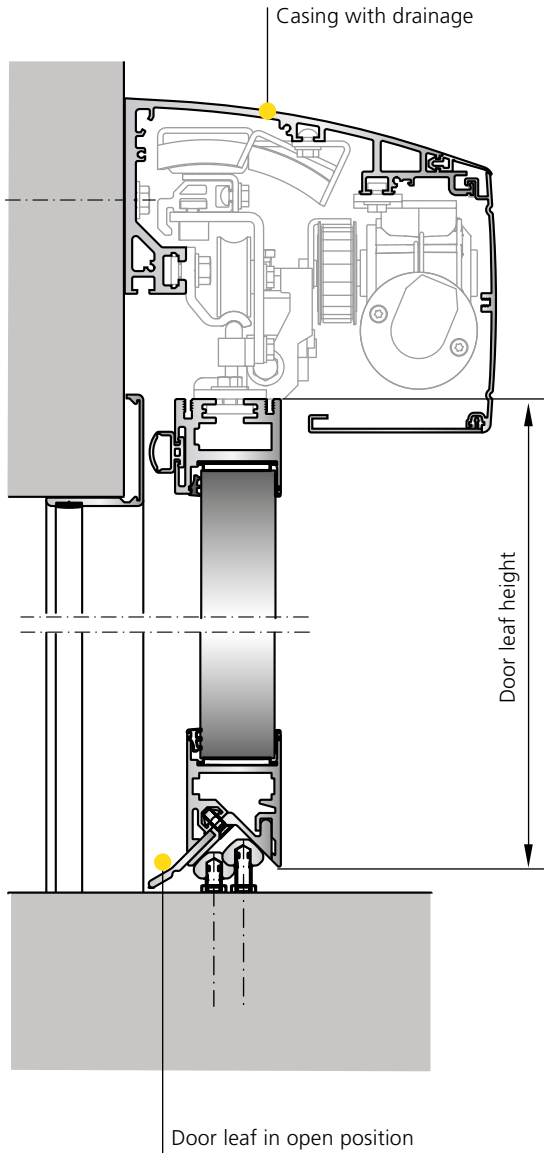


Manual door opening

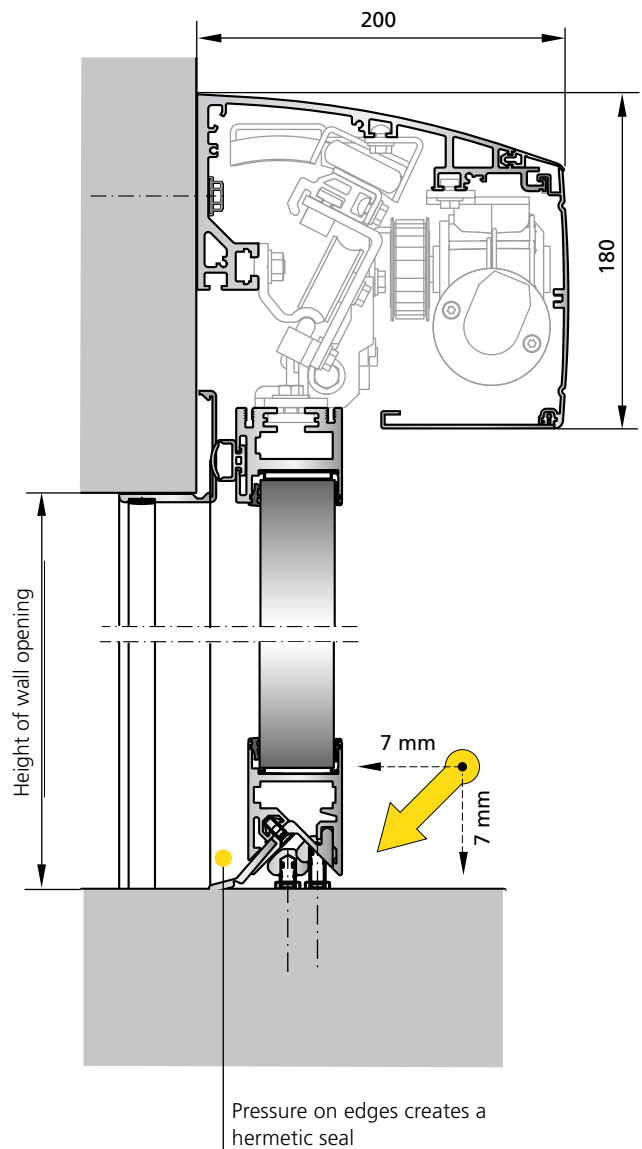
The handle allows you to open the door easily even if there are differences in pressure.

The door leaf configuration without handle allows the door to be opened completely.

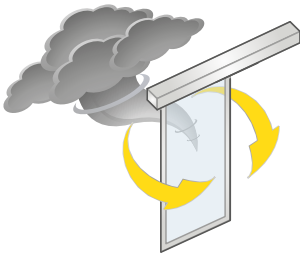
Door opened



Door closed with lowered leaf



Air permeability



- EN 12207: class 4 / class D
- EN 16361: class PPD 2

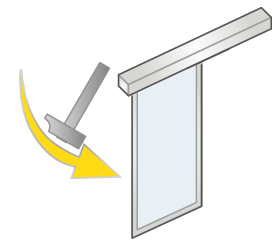
Depending on configuration size:
Values for single leaf configuration / leaf
1469 mm wide x 2133 mm high

Sound insulation



- EN ISO 10140 airborne sound insulation (evaluation according to EN ISO 717-1): from 26 to 38 dB, depending on door leaf filling

Impact resistance



- EN 13049: class 5

