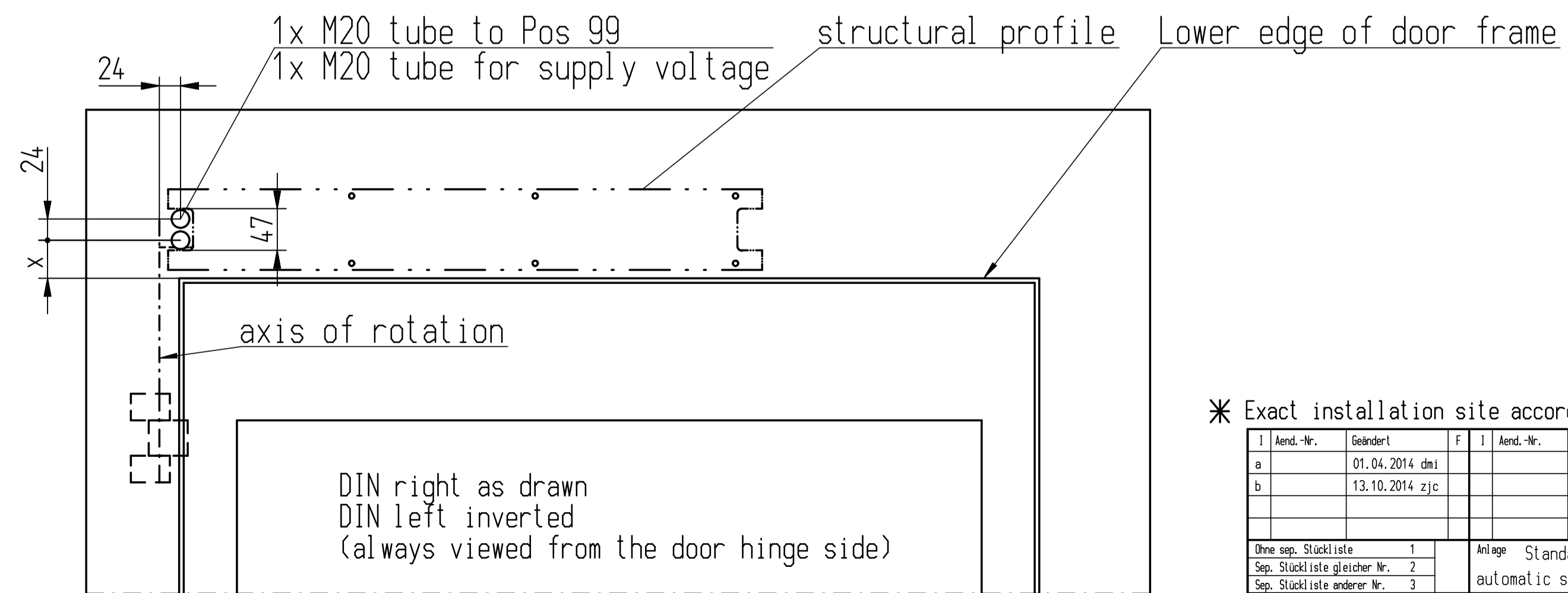


Clamping piece	x	Actual
Standard	43	
+ 20	63	
+ 50	93	
- 13	35	

"x" depend on the clamping piece measured from the lower edge of the door frame



Symbol	Denomination	Assembly	Delivery by
1	GILGEN drive unit type "FD-20" with main switch integrated in drive unit	mounted onto lintel	Gilgen Door Systems
5	Safety element REVERSING Active infrared light scanner	mounted onto door leaf	Flexible cable guide between drive unit and moving part Delivery & assembly by electric fitter
7	Safety element STOP Active infrared light scanner	mounted onto door leaf	Flexible cable guide between drive unit and moving part Delivery & assembly by electric fitter
30	Control element outside Radar	mounted onto ceiling	Sheath M20 with pull-in wire Cable: delivery by Gilgen Door Systems
30A	Control element outside Key-operated impulse switch "OPEN" for flush mounting	*	Flush-type box size 1, min. 52mm Cable and M20 sheath Delivery & assembly by electric fitter
40	Control element inside Radar	mounted onto ceiling	Sheath M20 with pull-in wire Delivery & assembly by electric fitter
40A	Control element inside Push-button "OPEN" for flush mounting	*	Flush-type box size 1, min. 52mm Cable and M20 sheath Delivery & assembly by electric fitter
55	Voltage-free N.C. (normally closed) contact from customer's management system for "Emergency CLOSE", "Emergency OPEN" or "Emergency Stop" functions.		Delivery & assembly by electric fitter
55A	Voltage-free N.O. (normally open) contact from the customer's management system for opening command, switching over between program functions		Delivery & assembly by electric fitter
60	Program selector key for surface mounting (D-BEDIX) "Manual-Night-Automatic-Exit-Open" for flush mounting	Recommended height 1600mm from floor *	Flush-type box size 1, min. 52mm Cable and M20 sheath Delivery & assembly by electric fitter
75	Electric door lock 24 VDC / max. 800mA if feeding from FD-20	installed in door frame	Delivery & assembly by electric fitter
77	Voltage-free contact for signalisation DOOR "OPEN/CLOSED/FAILURE"		Delivery & assembly by electric fitter
92	Cable connection Drive unit - junction box		Sheath M20 with pull-in wire Delivery & assembly by electric fitter
99	Collective point of all tubes Guide cable to the drive unit	*	Delivery & assembly by electric fitter

all measurements in mm

* Exact installation site according to construction management

l	Aend.-Nr.	Geändert	F	l	Aend.-Nr.	Geändert	F	Erstellt:	Ursprung	Messstab
a		01.04.2014 dmi						17.12.2013 dmi	Erstellt fuer:	1:10
b		13.10.2014 zjc						Begrüßt:	13.10.2014 wea	1:5
								Freigegeben:	13.10.2014 wea	
								Anz. Blatt	8	Blatt-Nr.
								7		
								Auftrags-Nr.		B-Kl.
										U
Ohne sep. Stückliste		1	Anlage		Standard wiring diagram for					
Sep. Stückliste gleicher Nr.		2			automatic swing door					
Sep. Stückliste anderer Nr.		3								
Benennung		pushing function		Zeichnungs-Nr.						
GILGEN DOOR SYSTEMS		FD 20 Ngd Standard 1-flg		G1- 0400-920		b				