

NARROW FRAMED SLIDING DOOR PSA PROFILE SYSTEM



The delicately designed Gilgen PSA profile system protects the glass while providing an impressively slim profile and a high level of robustness.

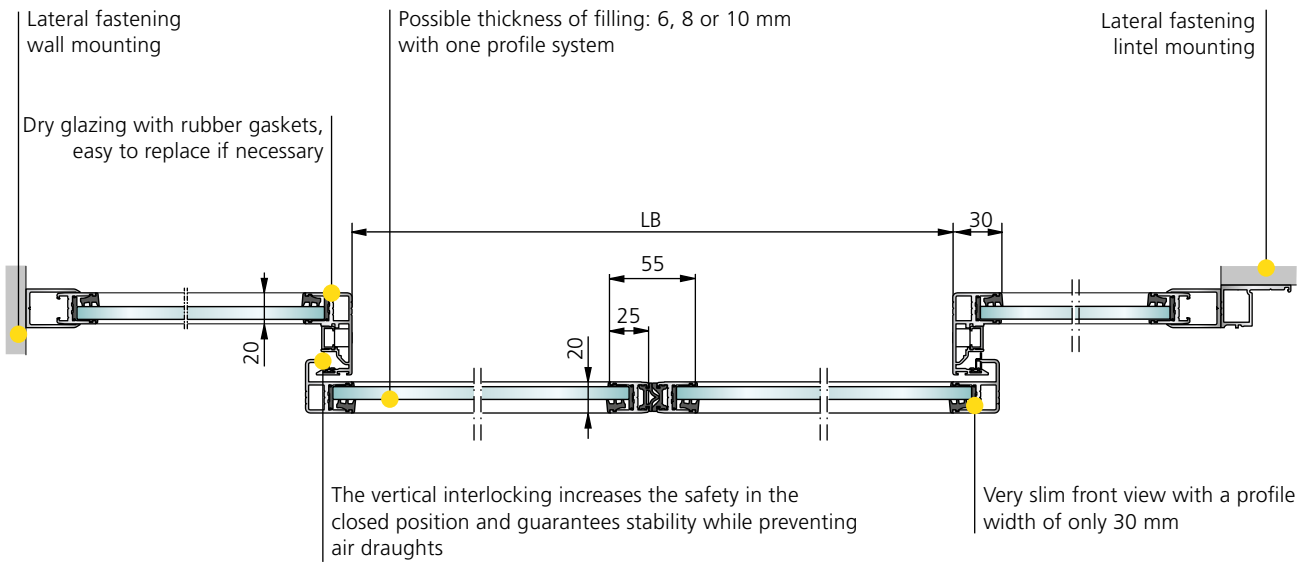
- Single-leaf and bi-parting sliding doors
- Two- and four-leaf telescopic sliding doors
- With side panel, protection leaf
- Emergency-exit function (redundant configuration)
- Standard locking-system built into drive mechanism
- With floor lock
- Full-length bottom rail
- Fixed point guide
- Can be attached to the door lintel or wall
- Vertical door leaf interlocking
- TÜV approved and complies with the pertinent standards and requirements (e.g. EN 16005, DIN 18650)

Range of application

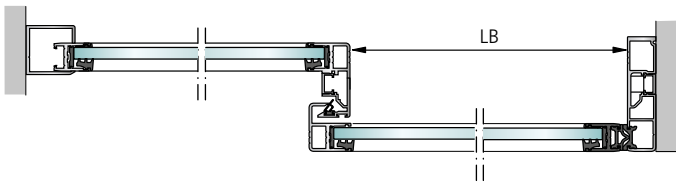
Sliding door	Clear width	Clear height	max. door leaf weight
Single-leaf	700 - 1300 mm (redundant 950 - 1300 mm)	up to 2500 mm	100 kg
Bi-parting	800 - 2500 mm (redundant 900 - 2500 mm)	up to 2500 mm	2 x 100 kg
Two-leaf telescopic	1100 - 3000 mm (redundant 1100 - 3000 mm)	up to 2500 mm	2 x 100 kg
Four-leaf telescopic	1200 - 4000 mm (redundant 1200 - 4000 mm)	up to 2500 mm	4 x 75 kg

Possible applications

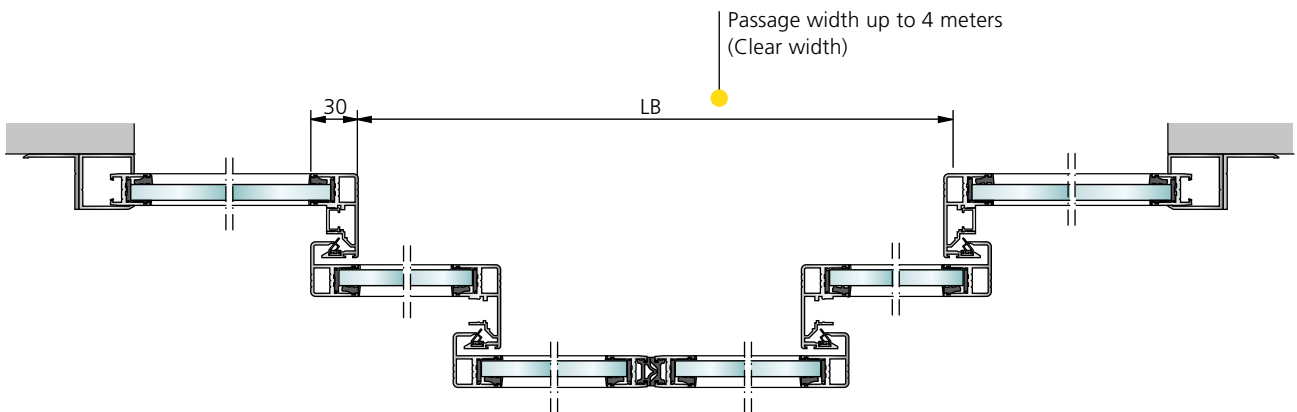
Bi-parting installation with side panels



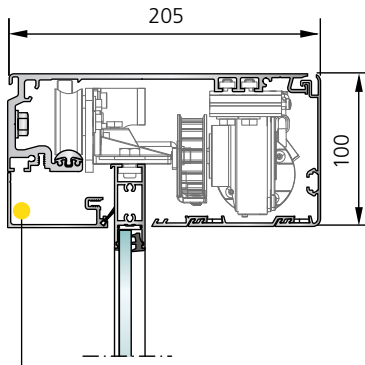
Single door leaf installation with side panel



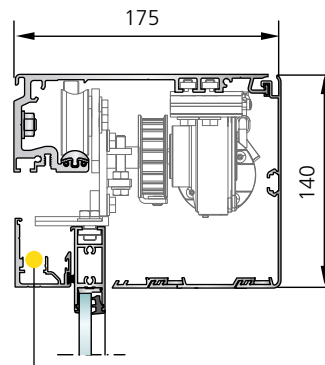
Four-leaf telescopic installation with side panels



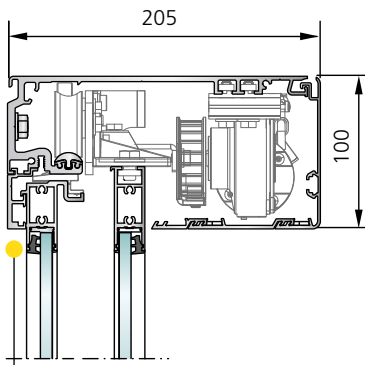
Header height of 100 mm and 140 mm



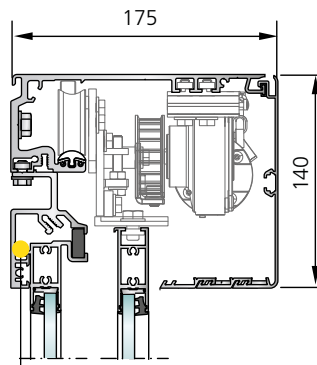
SL 35-C
Header 100 mm
without side panel



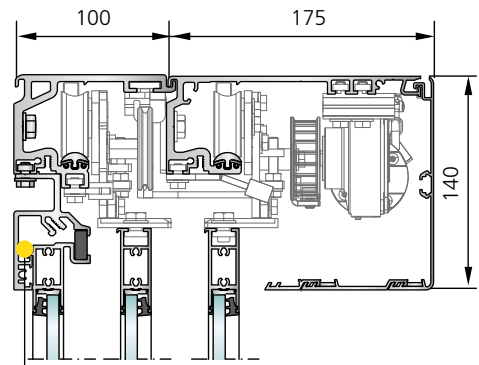
SL 35-S
Header 140 mm
without side panel
(possible with supporting profile)



SL 35-C
Header 100 mm
with side panel

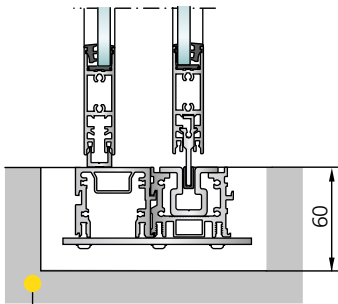


SL 35-S
Header 140 mm
with side panel
(possible with supporting profile)

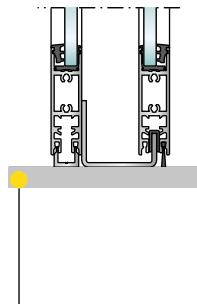


SL 35-T
Header 140 mm telescopic
with side panel
(possible with supporting profile)

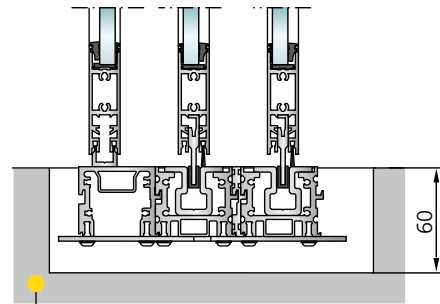
Bottom guide rails



Full-length bottom rail
integrated in the floor
(for increased safety and stability)



Lateral fixed point guide



Full-length bottom rail telescopic

