

SWING DOOR DRIVE UNIT FD 20-UG, UNDERGROUND



Attractive design and innovative technology

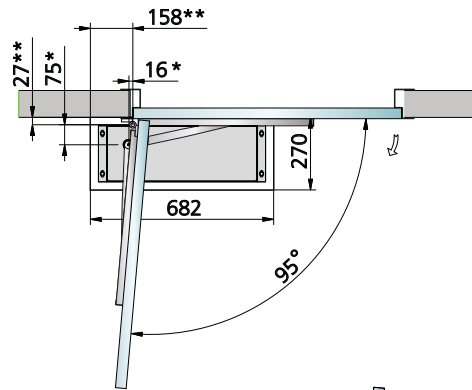
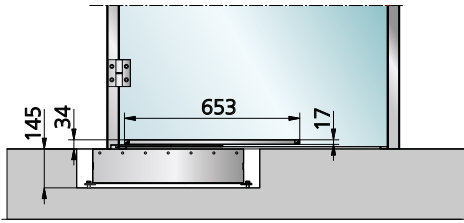
Hardly perceptible on an acoustic and visual level, the underground FD 20-UG mechanism lets the door appear in its original elegance and impresses with reliability, performance and durability.

At a glance

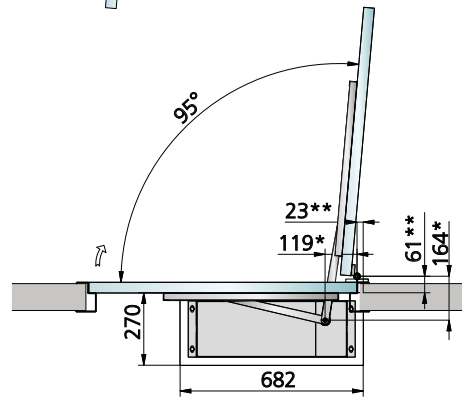
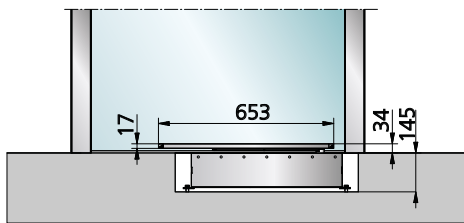
- Drive unit with corrosion-resisting case and cover plate
- Compatible with single/two-leaf doors and interlock accesses
- Controlled, spring-actuated closure with motor assistance
- Integrated travel stops in the sliding rods
- Spring-actuated closure in the event of a power failure
- Test-approved "inverse" power-down opening function to let smoke escape and act as an emergency exit
- Freely selectable Full Power and Low Energy functions in a single drive mechanism
- Terminals for connecting accessories such as locks, security/safety elements or operating controls
- Voltage-free outputs for acknowledgements to, for example, the building management system (via relay PCB)
- Ease of service, no need to remove the door
- Can be retrofitted
- The safety sensor system mounted on the moving door leaf ensures a reliable operation
- Additional finger protection might be needed in some markets

Application possibilities

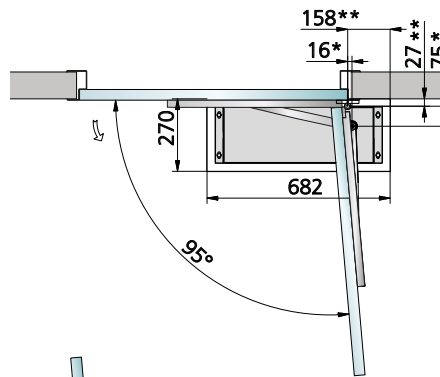
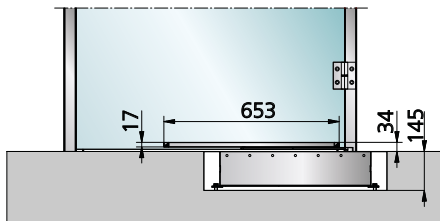
DIN left pulling function



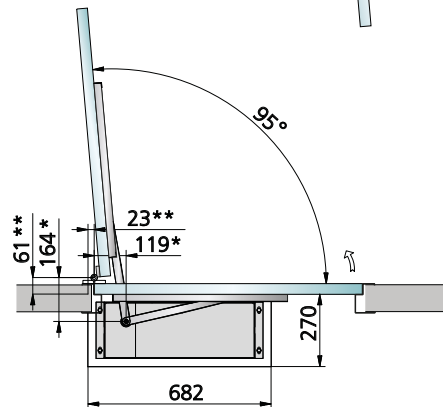
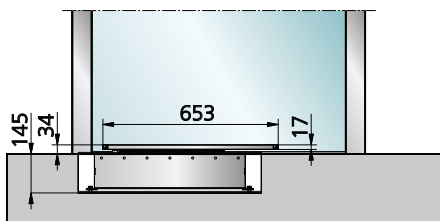
DIN left pushing function



DIN right pulling function



DIN right pushing function



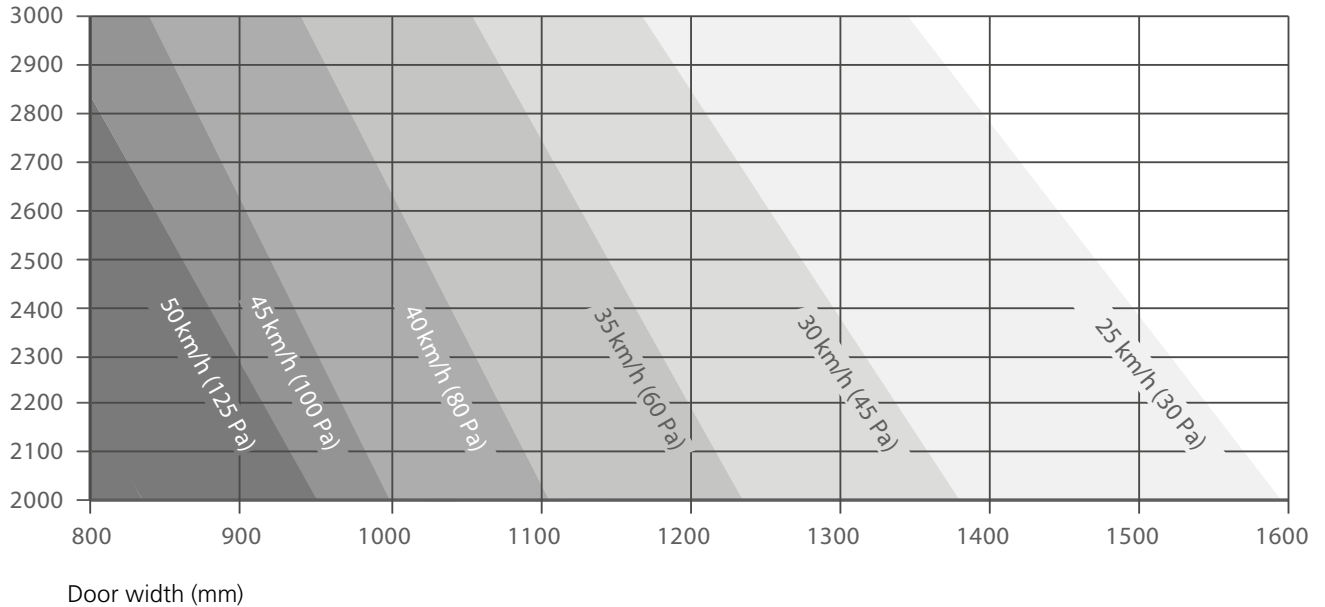
* Position: Drive unit axis to door pivot

** Position: Floor cut-out to door pivot

Maximum wind speed

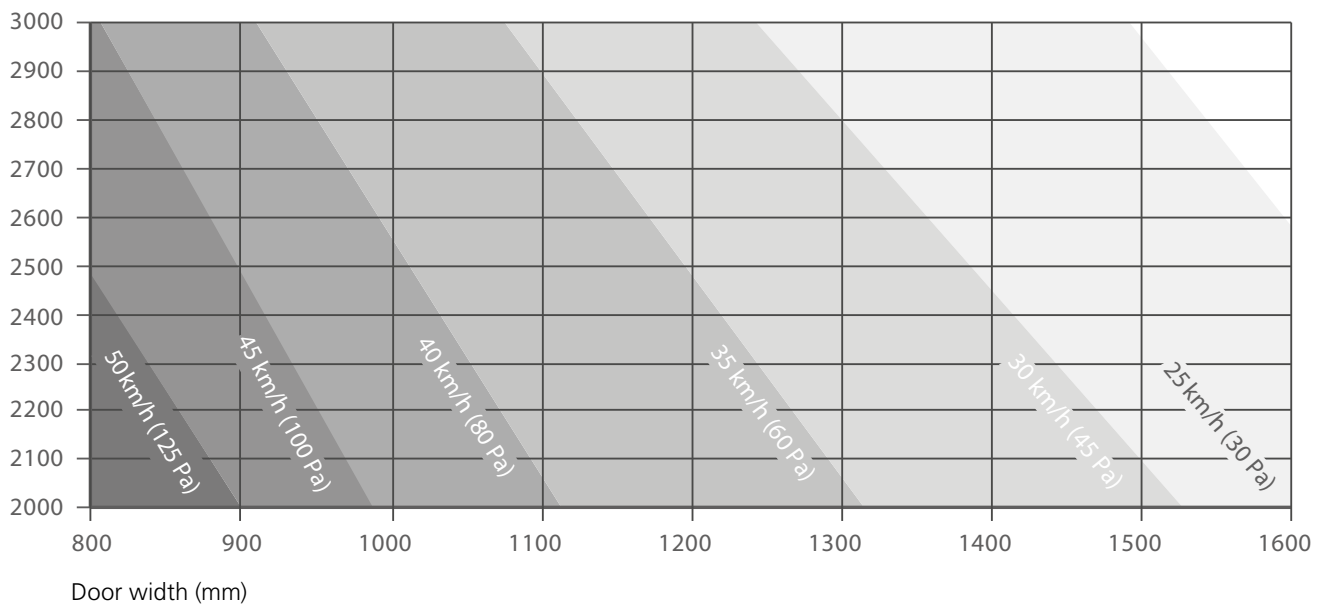
Sliding rod with pushing function

Door height (mm)



Sliding rod with pulling function

Door height (mm)



Technical specifications

Door operation	Sliding rod (with pushing and pulling function)
Drive dimensions	Height 133, width 210, length 622 mm
Drive weight	25 kg
Protection rating	IP 54
Operating voltage	230 VAC (+10/-15 %), 50 Hz, 10/13 A
Power consumption of drive mechanism	maximum 560 W
Power rating of motor	100 W
Stand-by consumption	4 W
Power supply for additional devices	24 VDC (± 10 %), 2 A
Drive torque	maximum 80 Nm
Opening speed	maximum 40°/s
Closing speed	maximum 40°/s

Application limits

Maximum door leaf weight	250 kg
Door sizes	750 – 1600 mm
Maximum opening angle	95°
Maximum wind speed	see charts*
Ambient temperature	-15 to +50 °C
Relative humidity	maximum 85 %

*depending on door size and type of rod