

SWING DOOR DRIVE UNIT

GILGEN FD 10-F



The certified fire-rated FD 10-F drive unit with its slim design (drive height 70 mm) provides reliable door automation in daily use and a tough protection in the event of a fire. In addition, the drive unit is also appropriate for application in emergency exits and rescue accesses.

- Compatible with single/two-leaf doors and interlock accesses
- The integrated load function guarantees resistance against high wind loads
- Easy to reset (on the side cover) after a fire alarm
- Freely selectable Full Power and Low Energy functions in a single drive mechanism
- Assisted-opening option with servo function
- Terminals for connecting accessories such as locks, security/safety elements or operating controls
- Voltage-free outputs for acknowledgments to, for example, the building management system (via relay PCB)
- Fire-safety certified (DIBt, EN 1634-1, EN 1158, DIN 18263-4,...)
- TÜV approved and complies with the pertinent standards and requirements (e.g. EN 16005, DIN 18650)

Range of application

Max. door leaf weight	150 kg
Door sizes single-leaf EN 2-5 (Standard rods)	730 – 1250 mm
Door sizes single-leaf EN 2-4 (Sliding rods, pushing and pulling function)	730 – 1100 mm
Door sizes two-leaf EN 2-5 (Standard rods)	1460– 2500 mm
Door sizes two-leaf EN 2-4 (Sliding rods, pushing and pulling function)	1460– 2200 mm
Max. opening angle	105°
Max. wind speed	see FD-Selector*

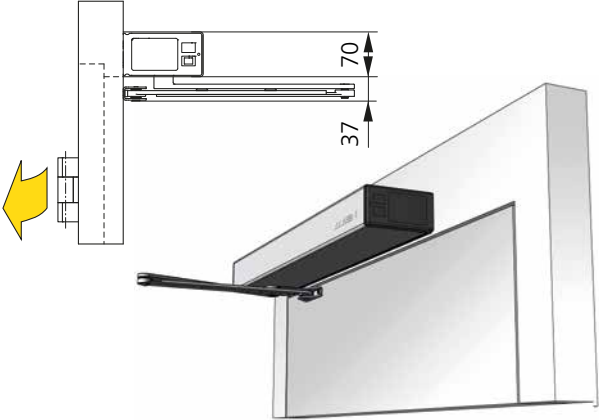
*depending on door size and type of rod

Dimensions of drive system

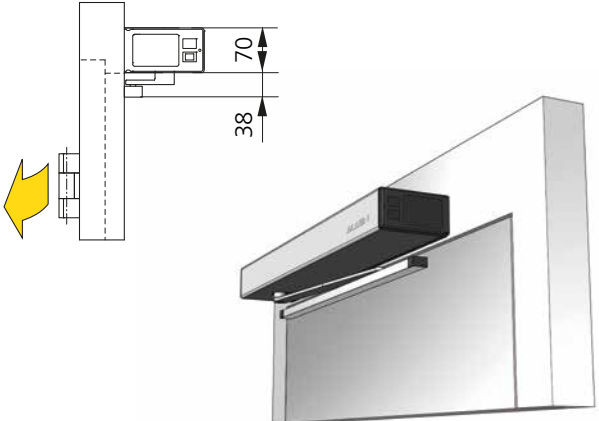
Height	70 mm
Width	730 mm
Depth	125 mm

Possible applications

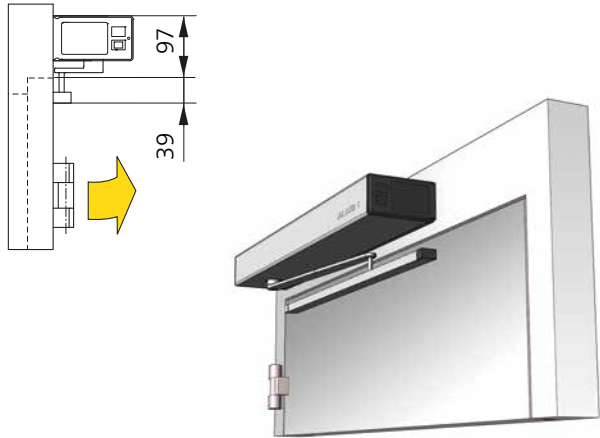
Standard rods with pushing function
Lintel installation



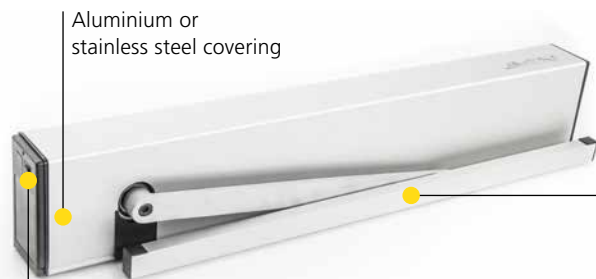
Sliding rods with pushing function
Lintel installation



Sliding rods with pulling function
Lintel installation



Technical data



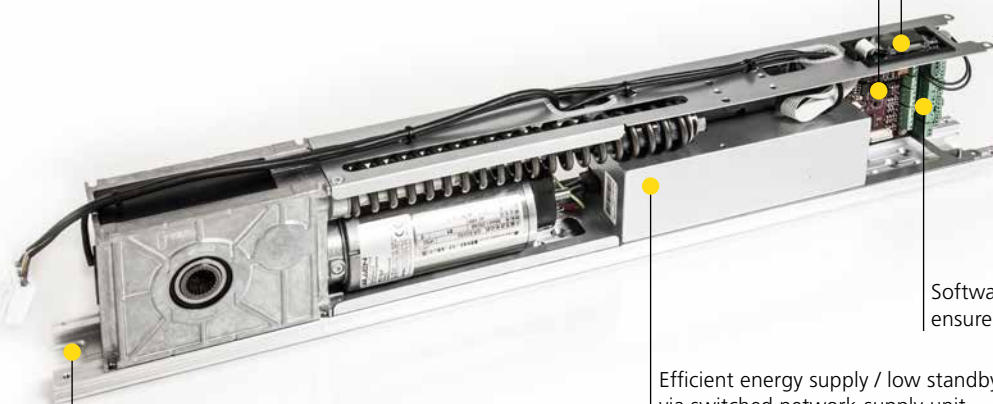
Aluminium or stainless steel covering

Sliding rods / Standard rods

Built-in program selector for easy changes of operating mode

Fire-prevention PCB with all required functions and connection possibilities, such as fire alarm, signal indicator system, etc.

Commissioning with integrated display + joystick



Software updates via USB interface to ensure a long service life

Efficient energy supply / low standby consumption via switched network-supply unit

Straightforward setup and installation

Thanks to combined chassis / mounting plate and combined FD 10 module / pre-tensioned closing spring suitable for all types of doors

Power transfer	Standard rods (pushing function) Sliding rods (pushing and pulling function)
Weight of drive system	8.2 kg
Protection rating	IP 20
Ambient temperature	-15 to +50 °C
Operating voltage	230 VAC (+10/-15 %), 50 Hz, 10/13 A
Power consumption of drive system	max. 350 W
Rated motor capacity	100 W
Stand-by consumption	4 W
Power supply, external user	24 VDC (±10 %), 1.4 A
Lintel depth standard rods	max. 250 mm
Lintel depth sliding rods	-50 / + 50 mm
Opening speed	max. 40°/s
Closing speed	max. 40°/s
Relative humidity	max. 85 %
Output shaft torque	permanent max. 56 Nm short max. 165 Nm

Additional components for automatic fire-safety swing doors

