

INDIVIDUAL SLIDING DOORS WITH LEAVES SUPPLIED BY OTHERS



Our SL drive unit is compatible with any sliding door leaf configuration.

- Universal solution for door leaves supplied by others (in wood, steel, aluminium or glass, etc.)
- Single-leaf and bi-parting sliding doors
- Compatible with the standard profile systems used in frontage design and metallic structures
- Interface matched to Gilgen drive mechanism
- Leaf thicknesses of up to 90 mm
- Leaf weights matched to drive system specifications
- Leaf-suspension mechanism can be integrated into header
- Emergency-exit function (redundant configuration)
- Available with integrated sensor system
- Flush bottom guideway
- fixed point guide
- The drive system is TÜV-tested for conformity with corresponding specifications and standards (e.g. EN 16005, DIN 18650)

Range of application

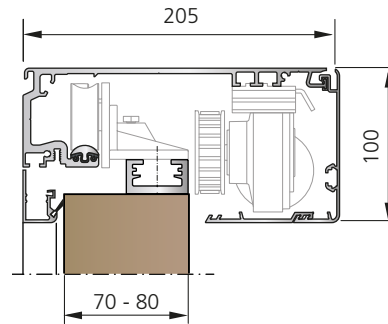
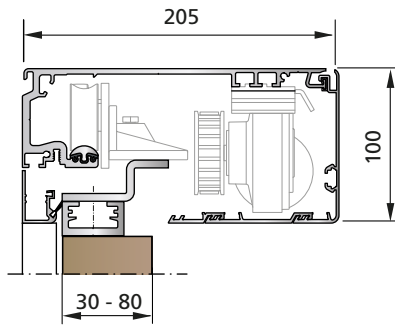
	Leaves supplied by others
Clear width	single-leaf: 700 - 2000 mm (redundant 950 - 2000 mm) bi-parting: 800 - 3000 mm (redundant 900 - 3000 mm)
Weight	150 kg per door leaf

Possible configurations

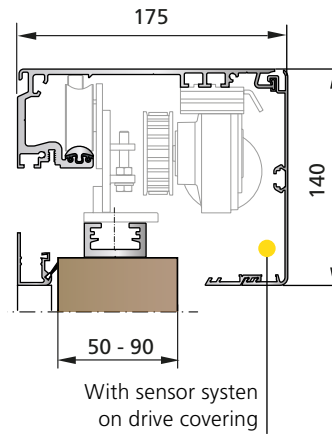
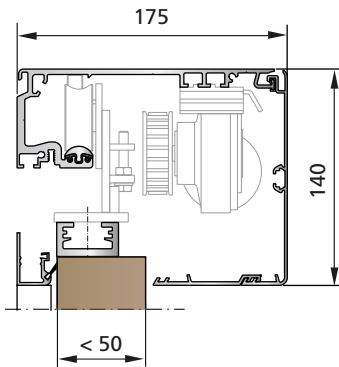
Installation with door leaves supplied by others
Without side panels

Header (100 mm and 140 mm)

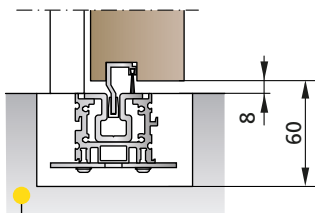
SL 35-C



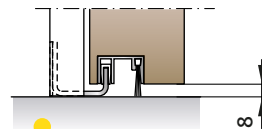
SL 35-S



Bottom guide rails



Full-length bottom rail integrated in the floor
(for increased safety and stability)



Lateral fixed point guide
on floor

